

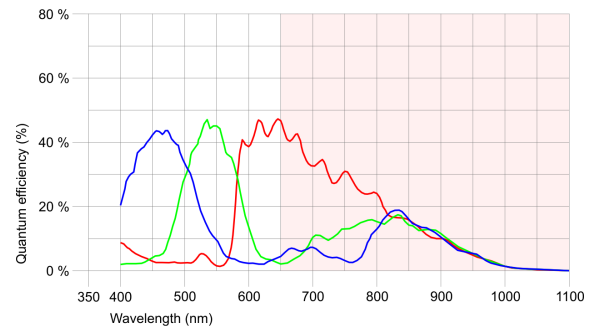
## UI-3370CP-C-HQ



## Specification

### Sensor

Sensor Technology	CMOS Color
Manufacturer	CMOSIS
Resolution (h x v)	2048 x 2048
Color depth (sensor)	12 bit
Color depth (camera)	12 bit
Pixel Class	4 MP
Sensor Size	1"
Shutter	Global shutter
max. fps in Freerun Mode	80.0
Binning Modes	-
Subsampling Modes	M/C automatic
Sensor Model	CMV4000-3E5C1PP
Pixel size	5.5 µm
Optical Size	11.264 mm x 11.264 mm



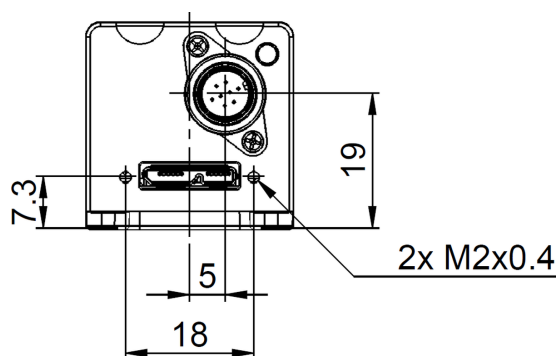
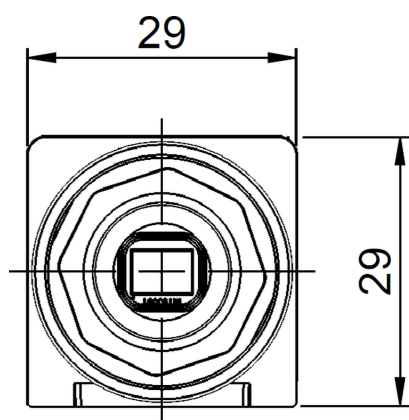
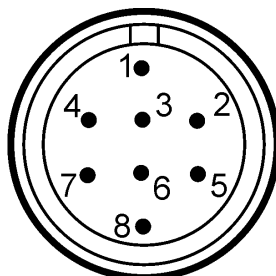
### Design

Interface	USB 3
Lens Mount	C-Mount
I/O In	1 x Opto-decoupled
I/O Out	1 x Opto-decoupled
I/O RS-232	1
I/O GPIO	2
I/O I2C	-
IP code	IP30
Dimensions H/W/L	29.0 mm x 29.0 mm x 29.0 mm
Mass	44 g
Power supply	USB Cable

## UI-3370CP-C-HQ

### Pin assignment I/O connector

1	Ground (GND)
2	Flash output, opto-decoupled (-)
3	GPI01
4	Trigger input, opto-decoupled (-)
5	Flash output, opto-decoupled (+)
6	GPI02
7	Trigger input, opto-decoupled (+)
8	Output supply voltage, 5V (100mA)



## UI-3370CP-C-HQ

